

Service Document **Exchange Set**

LIVANCE GDP2300/1
LIVANCE GDP2300/2
LIVANCE GDP2304

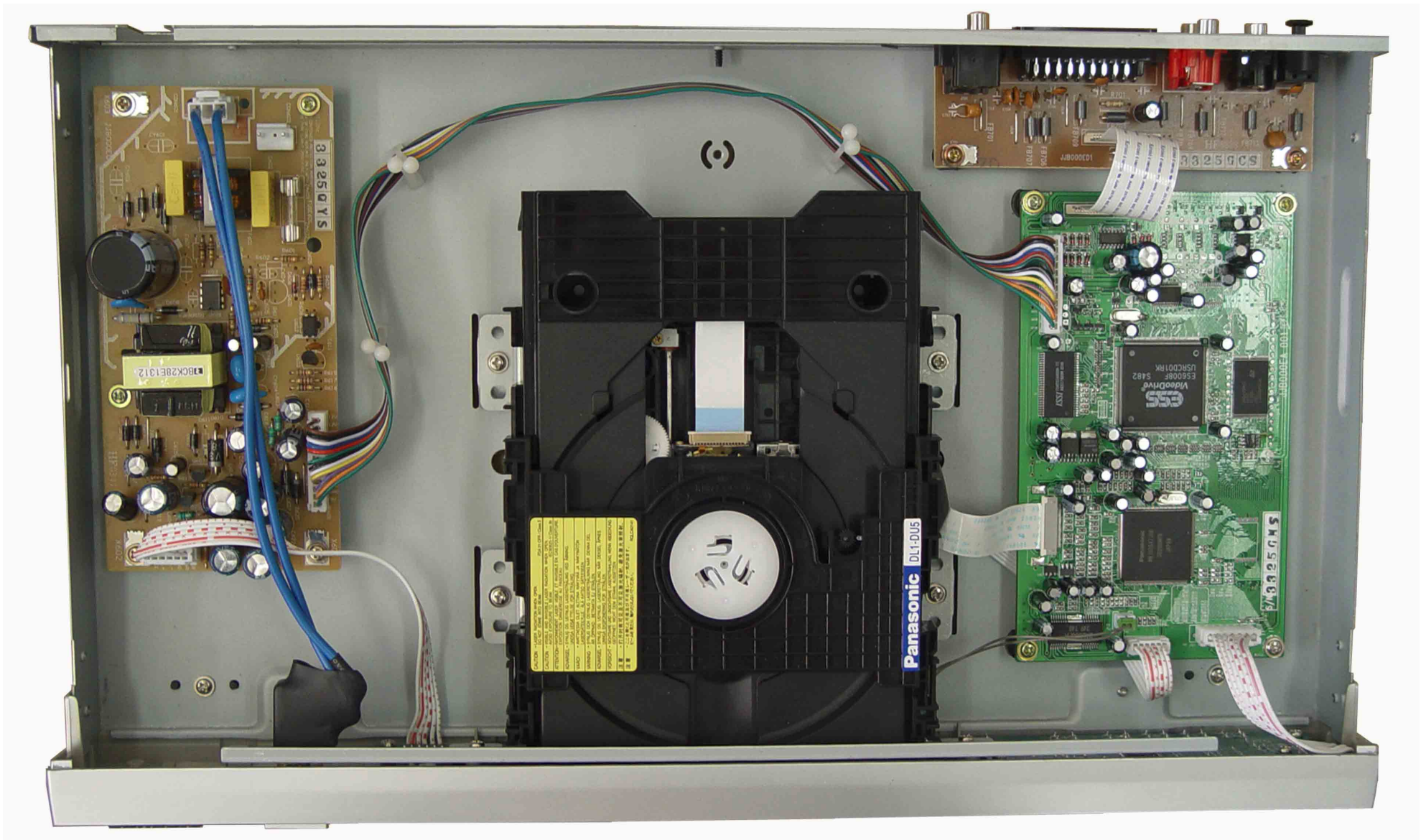
Service Manual
Sicherheit
Safety
Materialnr./Part No. 720108000000

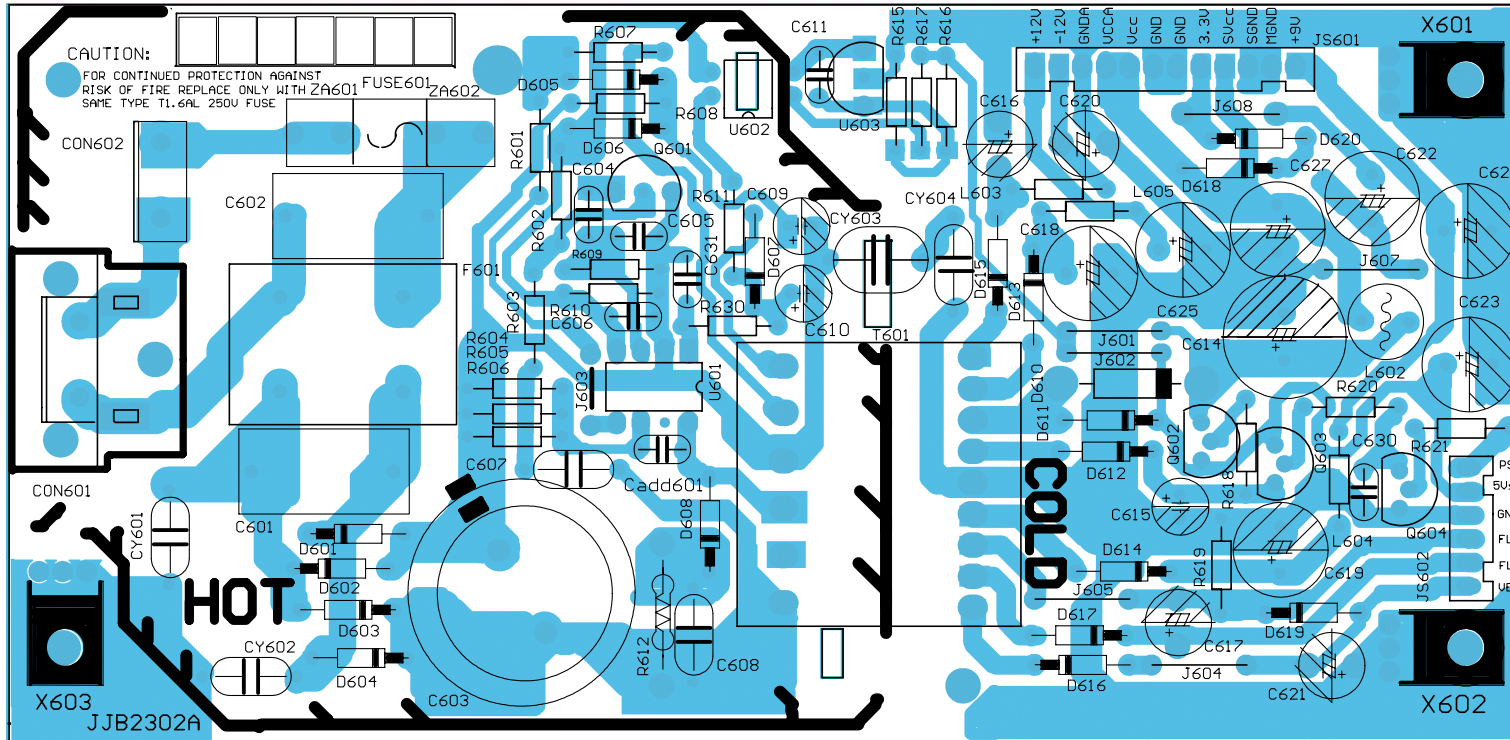


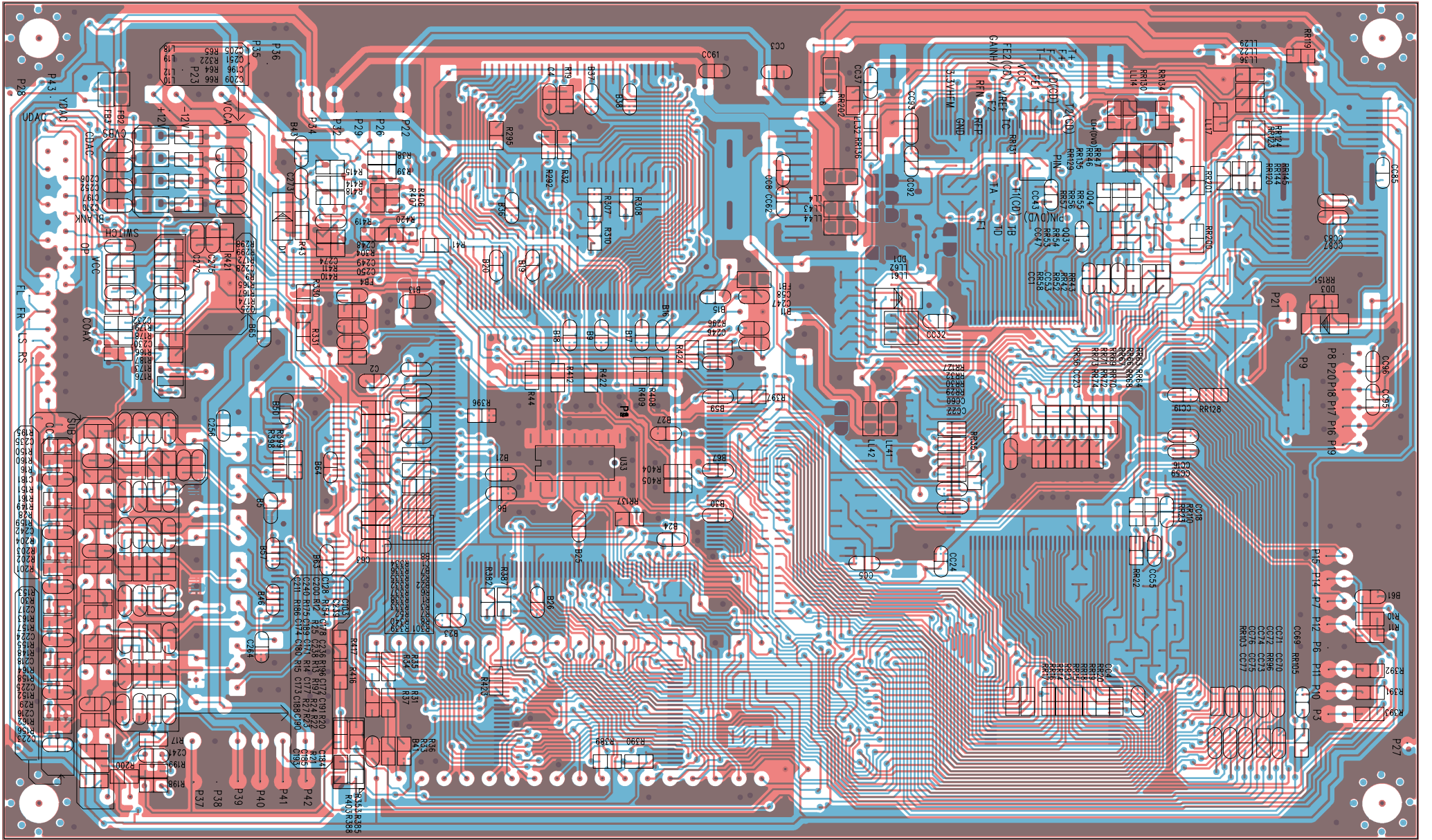
Es gelten die Vorschriften und Sicherheitshinweise gemäß dem Service Manual "Sicherheit", Materialnummer 720108000000, sowie zusätzlich die eventuell abweichenden, landesspezifischen Vorschriften!

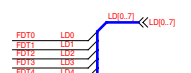
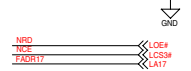
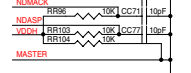
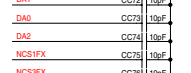
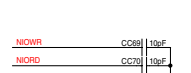
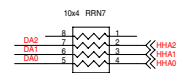
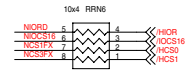
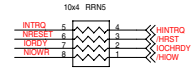
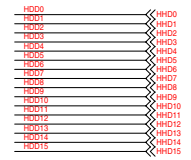
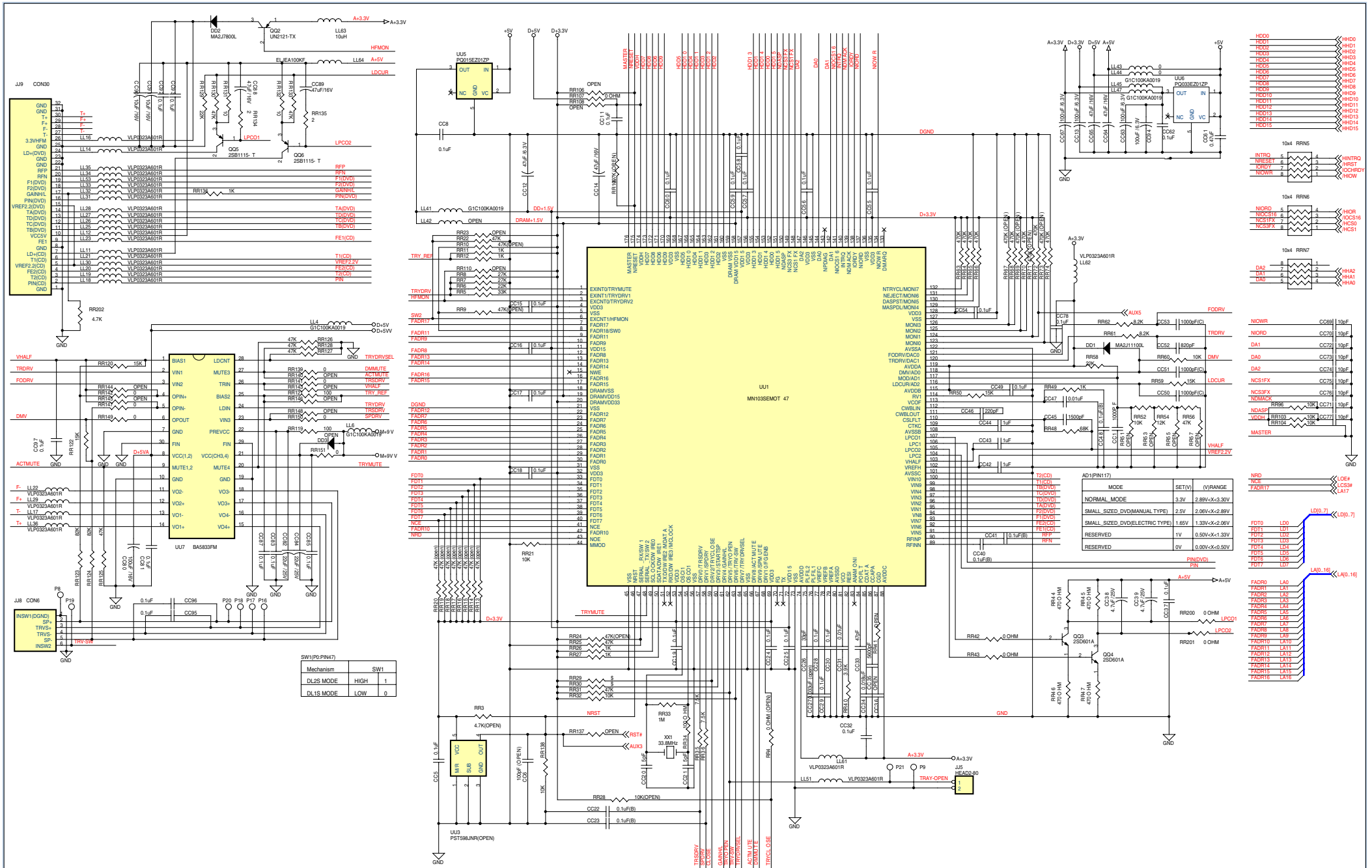


The regulations and safety instructions shall be valid as provided by the "Safety" Service Manual, part number 720108000000, as well as the respective national deviations.





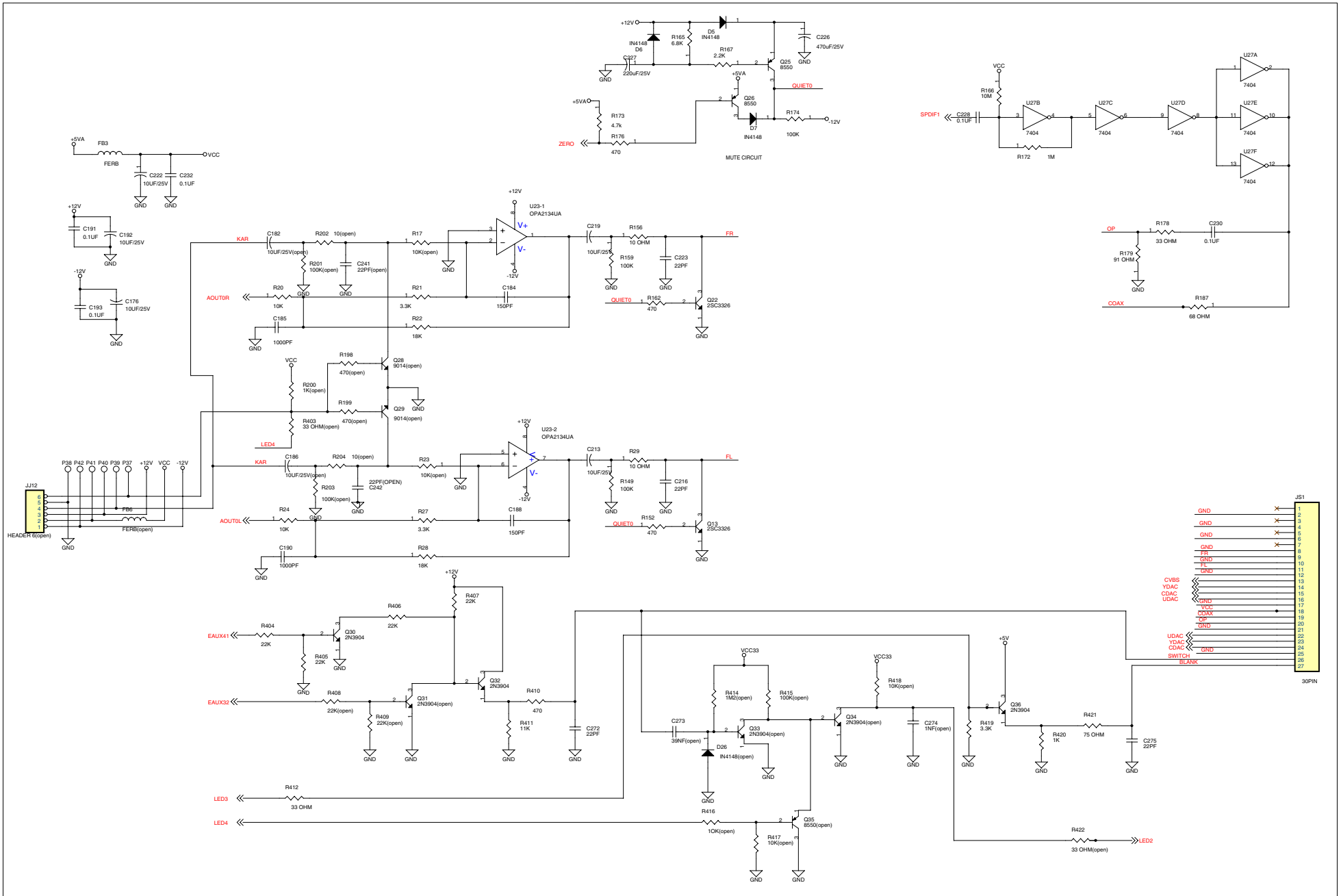




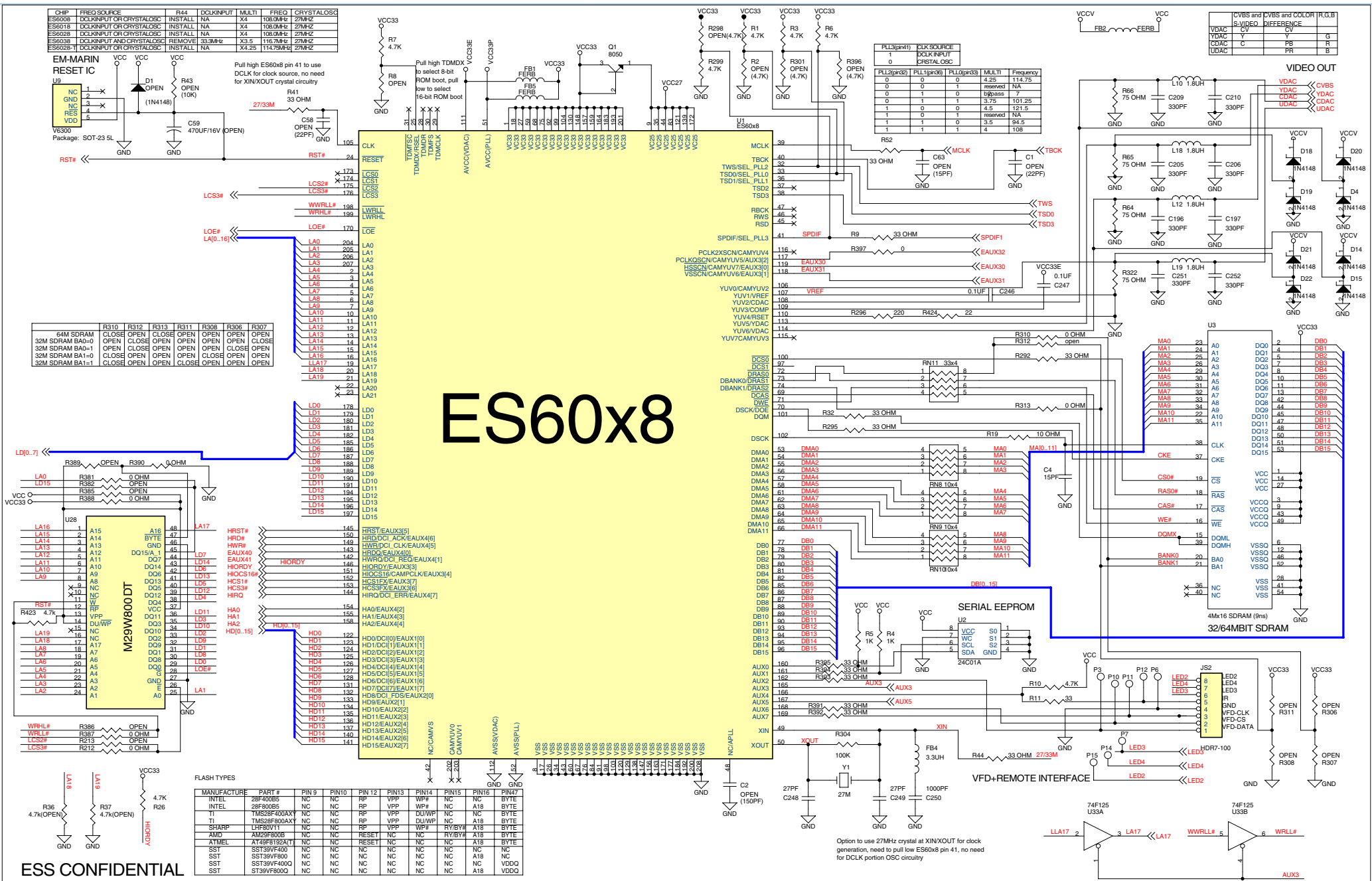
MODE	SETV	(V)RANGE
NORMAL MODE	3.3V	2.89V-X-3.30V
SMALL SIZED DVD(MANUAL TYPE)	2.5V	2.09V-X-2.99V
SMALL SIZED DVD(ELECTRIC TYPE)	1.65V	1.33V-X-2.06V
RESERVED	1V	0.50V-X-1.33V
RESERVED	0V	0.00V-X-0.50V

Mechanism	SW1
DL2S MODE	HIGH 1
DL1S MODE	LOW 0

AD1P1N17	MODE	SETV	(V)RANGE
AD1P1N17	NORMAL MODE	3.3V	2.89V-X-3.30V
AD1P1N17	SMALL SIZED DVD(MANUAL TYPE)	2.5V	2.09V-X-2.99V
AD1P1N17	SMALL SIZED DVD(ELECTRIC TYPE)	1.65V	1.33V-X-2.06V
AD1P1N17	RESERVED	1V	0.50V-X-1.33V
AD1P1N17	RESERVED	0V	0.00V-X-0.50V

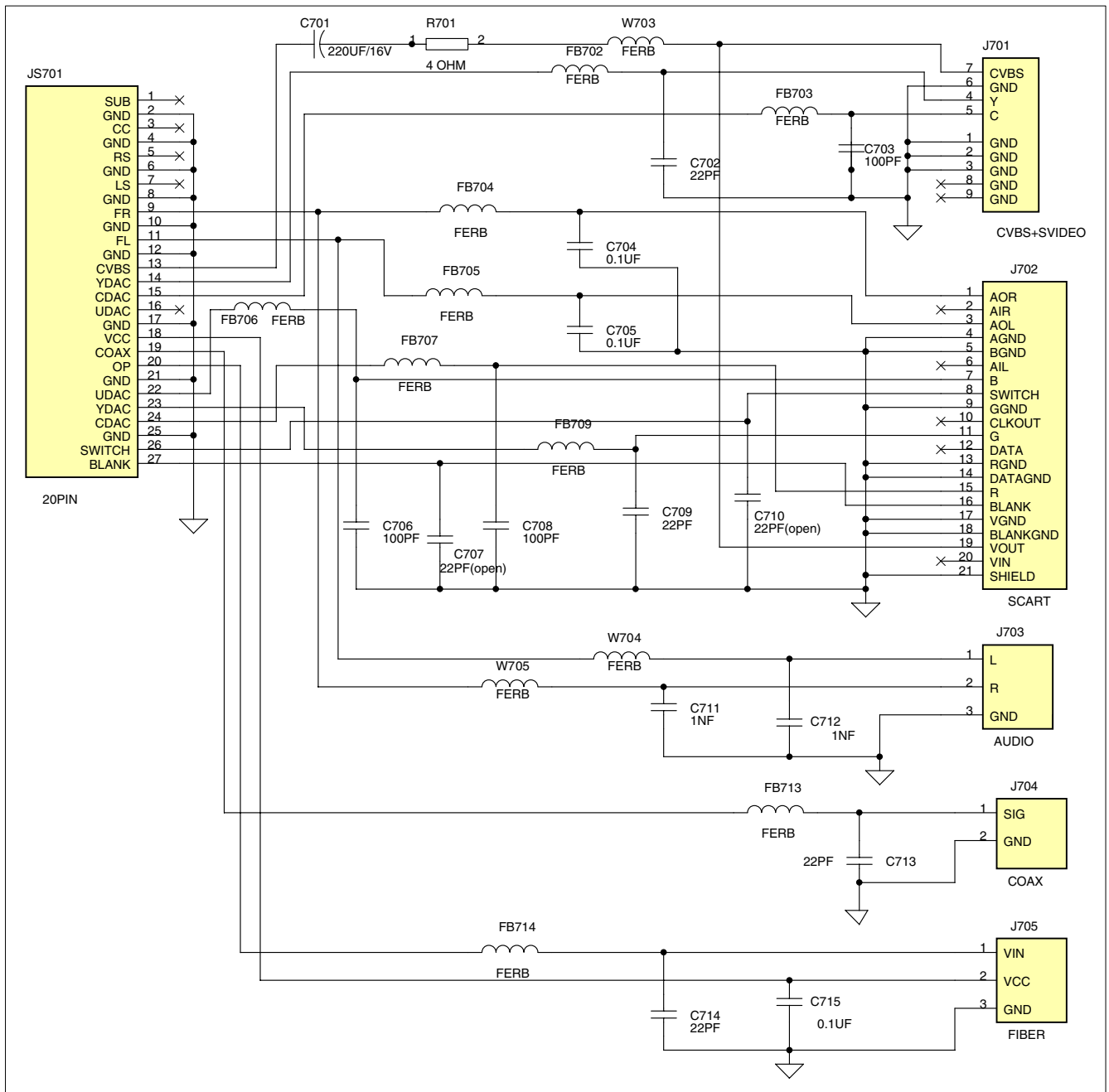
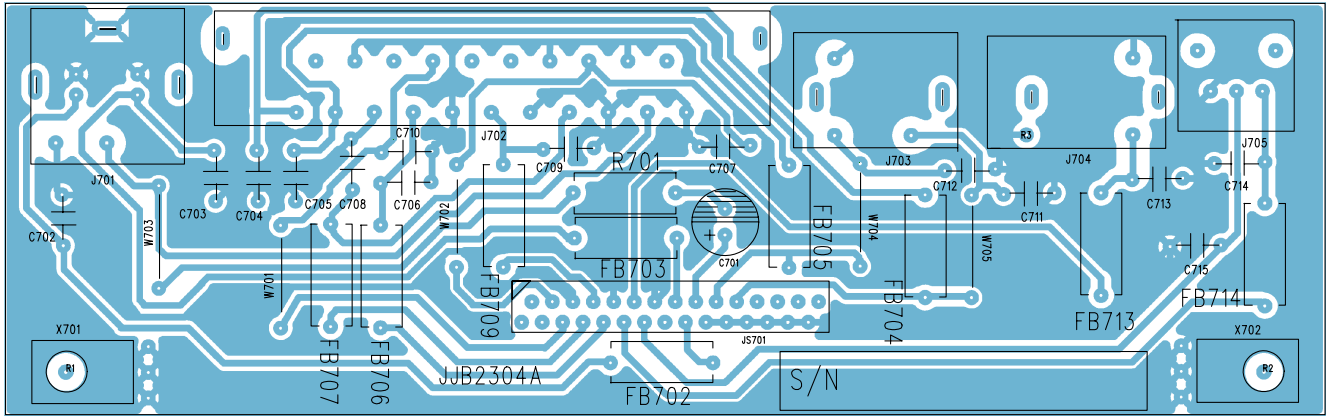


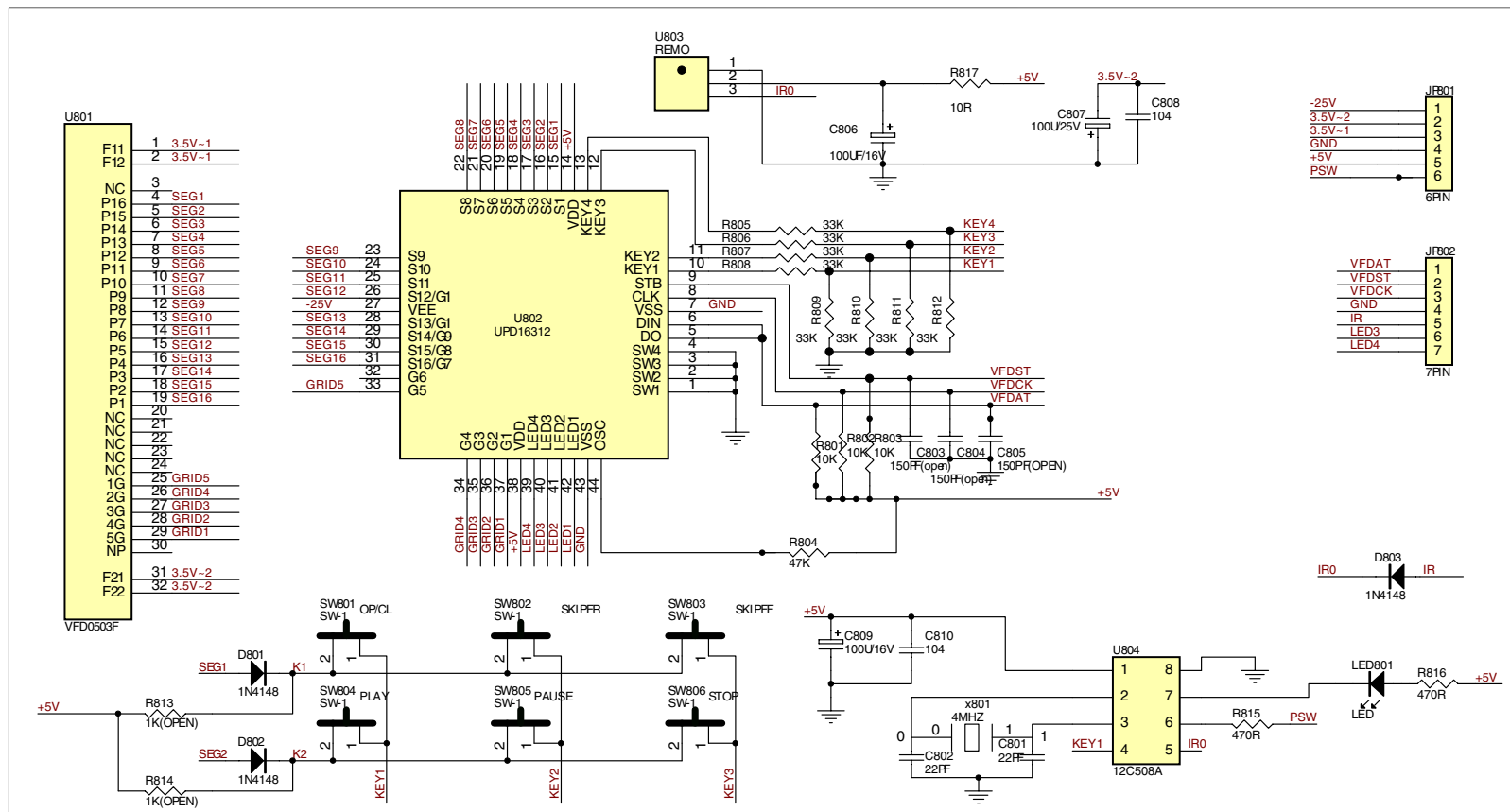
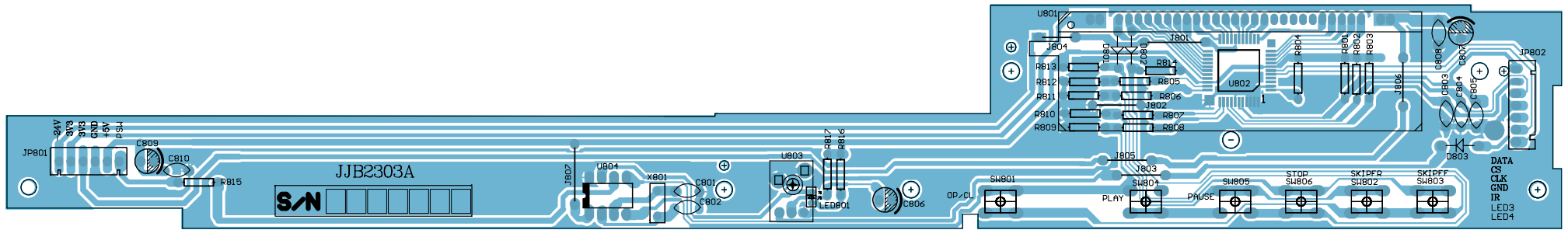
ES60x8

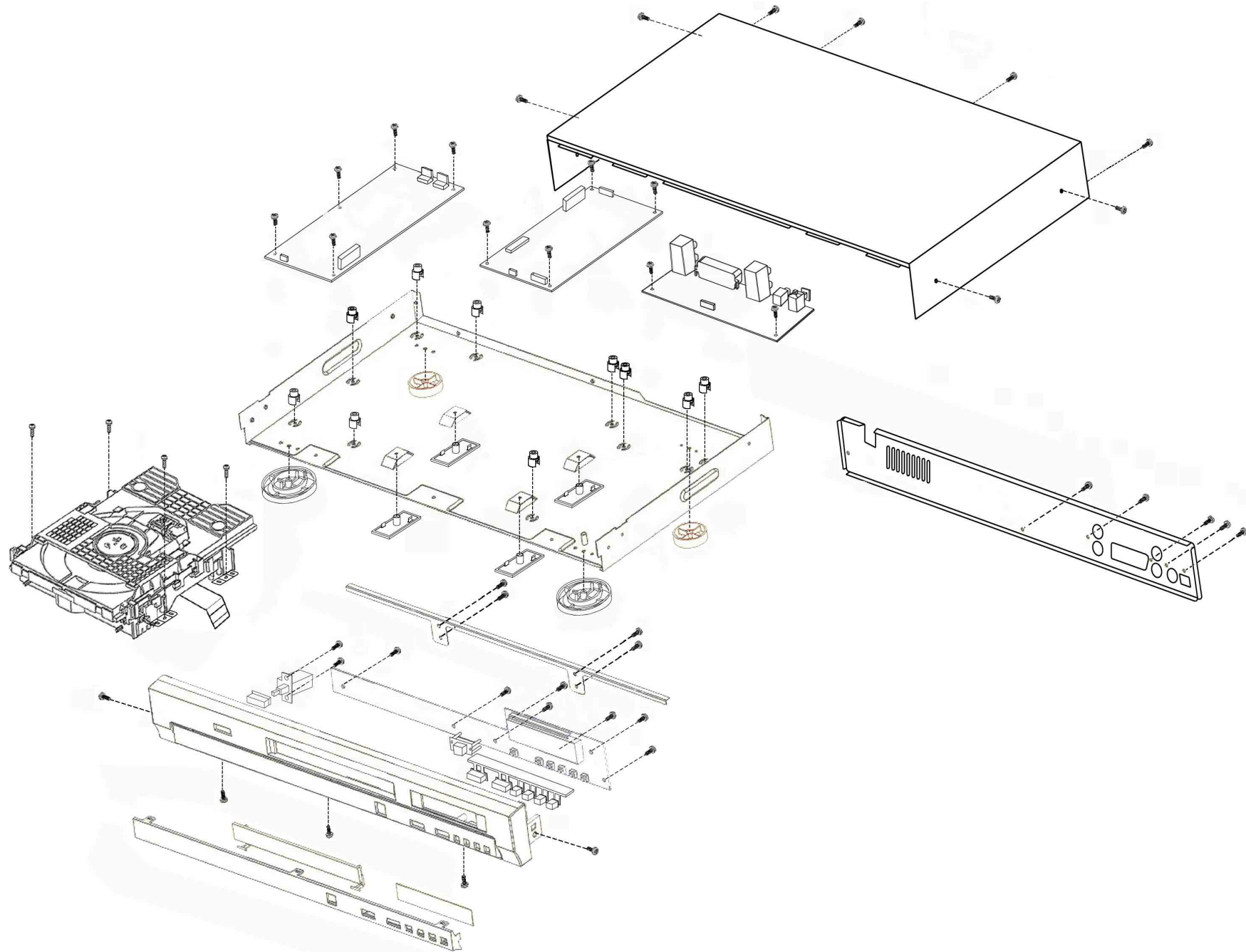


ESS CONFIDENTIAL

The information has been checked and is believed to be reliable. However, no responsibility is assumed for inaccuracies. Circuit diagrams are provided as a means of illustrating typical applications; consequently complete information for construction purposes is not necessarily given. ESS reserves the right to make changes at any time in order to improve the design.







GRUNDIG

Ersatzteilliste Spare Parts List

DVD

8 / 2003

LIVANCE GDP 2300/1 LIVANCE GDP 2300/2

MATERIAL-NR. / PART NO.: 774010535100 BESTELL-NR. / ORDER NO.: GMJ7900
MATERIAL-NR. / PART NO.: 774010545100 BESTELL-NR. / ORDER NO.: GMK1900

POS. NR. POS. NO.	ABB. FIG.	MATERIAL-NR. PART NUMBER	ANZ. QTY.	BEZEICHNUNG (D)	DESCRIPTION (GB)
		774010535100 774010545100		LIVANCE GDP 2300/1 PROCON SILVER LIVANCE GDP 2300/2 PROCON SILVER	LIVANCE GDP 2300/1 PROCON SILVER LIVANCE GDP 2300/2 PROCON SILVER
		720086800000		LIVANCE GDP 2300/1/2 PROCON SILVER TAUSCHGERAET	LIVANCE GDP 2300/1/2 PROCON SILVER EXCHANGE SET
		296420660200		FERNBEDIENUNG TP81D	REMOTE CONTROL TP81D
		720116032000 720116031100 720116031200		BEDIENUNGSANLEITUNG D/I BEDIENUNGSANLEITUNG GB/DK/N BEDIENUNGSANLEITUNG E/PL	INSTRUCTION MANUAL D/I INSTRUCTION MANUAL GB/DK/N INSTRUCTION MANUAL E/PL

HINWEIS !

IM DEFEKTFALL SENDEN SIE BITTE
IHR GERAET AN FOLGENDE ADRESSE:

GRUNDIG AG
CENTRAL SERVICE
- TOR 8 -
BEUTHENER STR. 55
D-90471 NUERNBERG

NOTE !

IN CASE OF DEFECT PLEASE SEND
YOUR SET FOR FOLLOWING ADDRESS:

GRUNDIG AG
CENTRAL SERVICE
- TOR 8 -
BEUTHENER STR. 55
D-90471 NUERNBERG

Es gelten die Vorschriften und Sicherheitshinweise
gemäß dem Service Manual "Sicherheit", Mat.-Num-
mer 720108000000, sowie zusätzlich die eventuell ab-
weichenden, landesspezifischen Vorschriften!



The regulations and safety instructions shall be valid
as provided by the "Safety" Service Manual, part
number 720108000000, as well as the respective
national deviations.

ÄNDERUNGEN VORBEHALTEN / SUBJECT TO ALTERATION